

**Serie | 8, Built-in oven, 60 x 60 cm
HBG636ES1**



Included accessories

1 x enamel baking tray
1 x combination grid
1 x universal pan

The built-in oven with PerfectBake and PerfectRoast: you get perfect baking and roasting results – automatically.

- **PerfectBake:** the easy way to perfect baking results.
- **PerfectRoast:** precise measurement of core temperature for a perfect roast.
- **TFT touchscreen control:** easy-to-use thanks to the control ring with full text and images.
- **EcoClean Direct:** almost no cleaning is necessary thanks to a special coating of the rear wall that automatically absorbs grime.
- **Cleaning Assistance:** less cleaning effort thanks to the new cleaning option, which can be especially used for cleaning of light soiling.

Technical data

Integrated Cleaning system : Catalytic partial, Hydrolytic
Required niche size for installation (HxWxD) : 585-595 x 560-568 x 550 mm

Dimensions : 595 x 594 x 548 mm

Dimensions of the packed product (HxWxD) : 670 x 680 x 670 mm

Control Panel Material : Stainless steel

Door Material : Glass

Net weight : 35.7 kg

Usable volume of cavity : 71 l

Heating modes : , 4D hot air, Bottom heat, Conventional heat, Defrost, Full width grill, Half width grill, Hot Air-Eco, Hot air grilling, low temperature cooking, Pizza setting, pre-heating, warming

Number of interior lights : 1

Approval certificates : CE, VDE

Length electrical supply cord : 120 cm

Interior Lights - cavity 1 : 1

: Accessory

Clock function : Alarm, Off, On

Included accessories : 1 x enamel baking tray, 1 x combination grid, 1 x universal pan

Broil Element Wattages cavity 1 : 2800 W

Convection Element Wattages cavity 1 : 2200 W

Energy consumption per cycle conventional (2010/30/EC) : 0.87 kWh/cycle

Energy consumption per cycle forced air convection (2010/30/EC) : 0.69 kWh/cycle

Energy efficiency index (2010/30/EC) : 81.2 %

: 3600 W

Fuse protection : 16 A

Voltage : 220-240 V

Frequency : 60; 50 Hz

Plug type : GARDY plug w/ earthing

Approval certificates : CE, VDE

Required cutout/niche size for installation (in) : x x

Dimensions of the packed product : 26.37 x 26.37 x 26.77

Net weight : 79.000 lbs

Gross weight : 84.000 lbs

Length electrical supply cord : 120 cm

Net weight : 35.7 kg

Gross weight : 38.1 kg



4 242002 808550

Serie | 8, Built-in oven, 60 x 60 cm HBG636ES1

The built-in oven with PerfectBake and PerfectRoast: you get perfect baking and roasting results – automatically.

Type of oven / heating system:

- Oven with 13 heating methods:
4D hot air, Hotair Eco., Conventional heat, Conventional heat ECO, Hot air grilling, Full width grill, Half width grill, Pizza setting, Bottom heat, Low temperature cooking, Defrost, Preheating, Hold warm
- Temperature range 30 °C - 300 °C
- Cavity volume: 71 l

Design:

- Bar handle
- Rotary swivel
- Full glass inner door

Cleaning:

- Ecolyse features: back panel, ceiling, side liners

Comfort:

- Temperature proposal
Actual temperature display
heating-up control
Meat probe
Sabbath setting
- Bottom, Oven door with SoftClose, Soft opening
- Supporting systems: Programs
- Baking sensor
Multipoint temperature probe
- Electronic clock
- Rapid heating-up
- Interior lighting
- Integral cooling fan
- Number of shelf levels: 5 PC

Hook-in racks / rails

Accessory:

- 1 x universal pan, 1 x combination grid, 1 x enamel baking tray
- Telescopic shelf rails as optional accessory

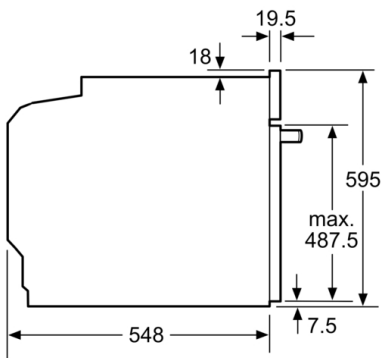
Environment and Safety:

- Child lock
Automatic switch off
Start-/Stop button
Door contact switch
- Maximum window temperature 40° C

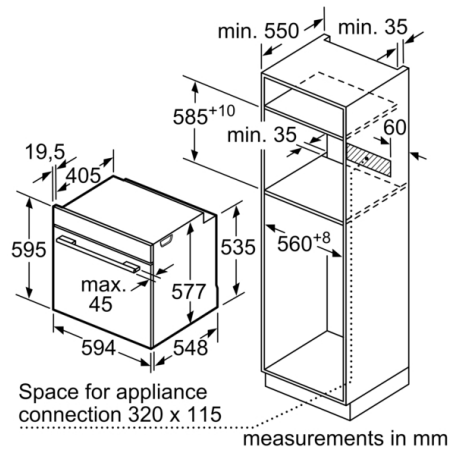
Technical Info:

- Length of mains cable: 120 cm
- Total connected load electric: 3.6 KW
- Nominal voltage: 220 - 240 V
- Appliance dimension (H x W x D): 595 mm x 594 mm x 548 mm
- Niche dimension (hwxwd): 560 mm - 568 mm x 450 mm - 455 mm x 550 mm
- "Please reference the built-in dimensions provided in the installation drawing"

**Serie | 8, Built-in oven, 60 x 60 cm
HBG636ES1**



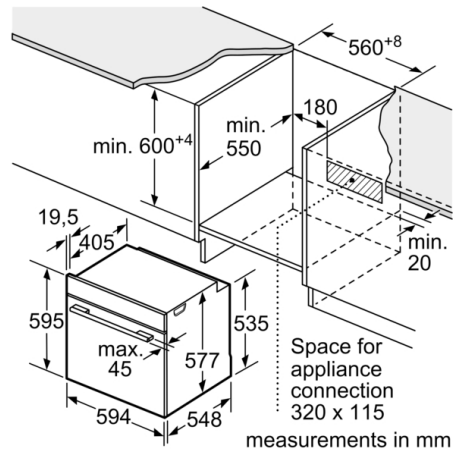
measurements in mm



measurements in mm

If the appliance will be installed underneath a hob, the following worktop thicknesses (including substructure if necessary) must be taken into account.

Hob type	min. worktop thickness	
	fitted	flush
Induction hob	37 mm	38 mm
Full surface Induction hob	47 mm	48 mm
Gas hob	30 mm	38 mm
Electric hob	27 mm	30 mm



measurements in mm